

Battery holder for coin-type Lithium Battery

BH500(ForLIR/CR1216,1220,1225)

*The battery is solidly anchored in the holder

*Battery can be charged very easily and you are assured of reliable firm contact

*There is no battery damage from short circuiting or soldering.

*BH500 battery holder for CR and LIR series1216 to 1220,1225.

CONTACT:

0.2mm PHOSPHOR BRONZE ALLOY W/TIN PLATED

CONTACT LOADING:

3 AMP

COLOUR:

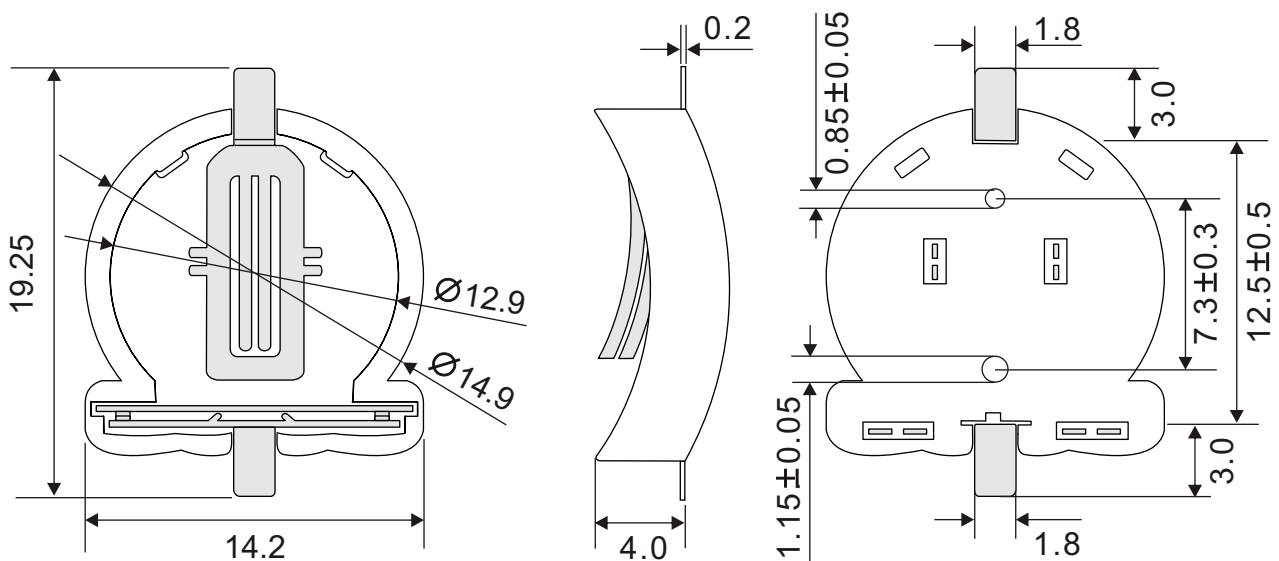
BROWN

OPERATION TEMP:

-55°C+105°C

DURABILITY:

50 CYCLES PLUGIN-OUT (SAME TYPE)



Specifications subject to change without notice